

TRUFIG

212 Avenida Fabricante  
San Clemente, CA 92672  
(949) 492 - 7777

TRUFIG and the TRUFIG Logo  
are trademarks of Dana In-  
novations. © 2012 Dana In-  
novations. All rights reserved.

# APPLICATION NOTE

## Lutron Palladiom Fascia Installation (in Drywall / Plaster)

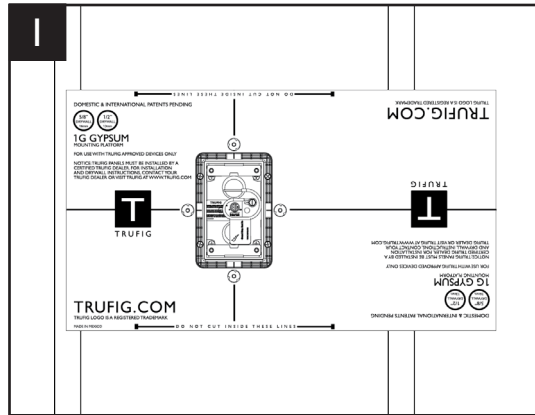
### Overview:

This application note will provide instruction on how to prepare a TRUFIG Palladiom Fascia for Installation in a TRUFIG Gypsum Mounting Platform.

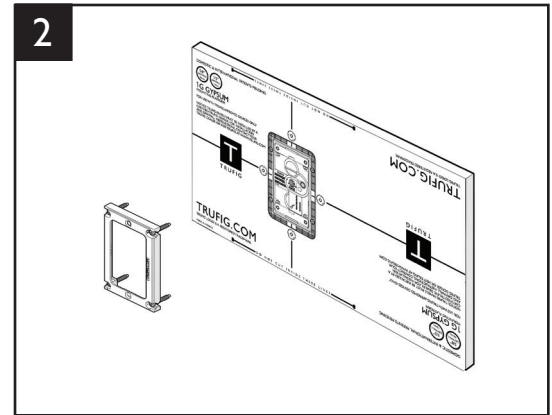
### Parts needed:

- TRUFIG Gypsum Mounting Platform (single gang, 1/2" or 5/8")
- TRUFIG Palladiom Fascia (#50467)
- TRUFIG Palladiom Trim Component (#50336)
- Lutron Palladiom keypad (non Euro)

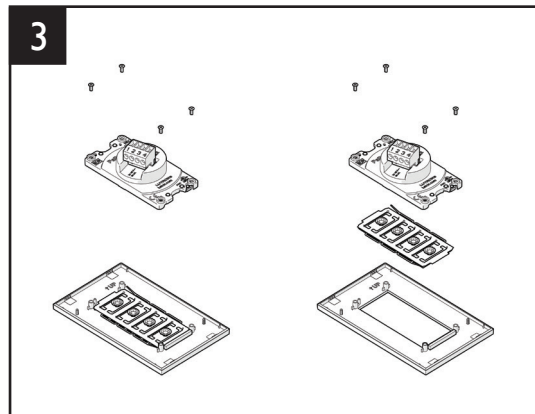
### Installation Instructions:



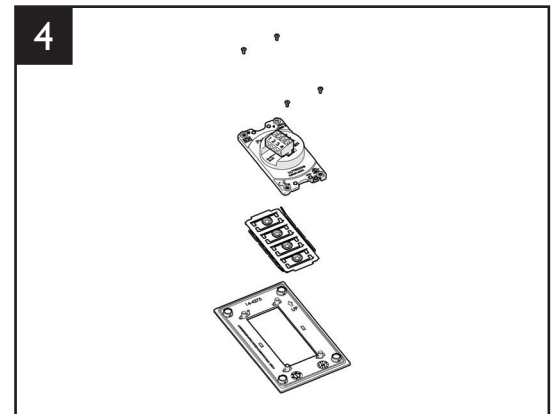
Follow enclosed instructions for installing the TRUFIG mounting platform to the desired stud bay position. Instruction can also be found at: [www.trufig.com](http://www.trufig.com).



Secure the TRUFIG Palladiom Trim Component into the mounting platform using a Phillips screwdriver. Leveling can be done by adjusting the (4) screws.



Using a Phillips screwdriver, disassemble the Lutron Palladiom keypad base by unscrewing the (4) screws on the back.



Place the TRUFIG fascia face down on a flat and smooth surface with the UP arrow in the correct orientation. With the buttons in the correct orientation, reattach the Lutron Palladiom keypad base unit to the TRUFIG Palladiom Fascia with attached buttons, using a Phillips screwdriver.



TRUFIG

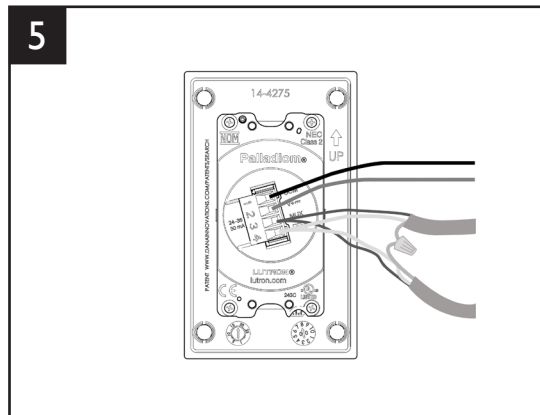
212 Avenida Fabricante  
San Clemente, CA 92672  
(949) 492 - 7777

TRUFIG and the TRUFIG Logo  
are trademarks of Dana In-  
novations. © 2012 Dana In-  
novations. All rights reserved.

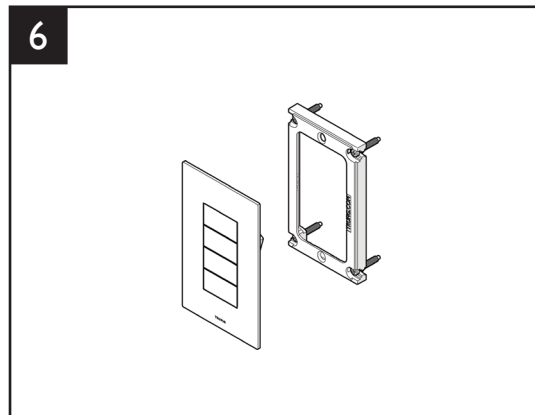
# APPLICATION NOTE

## Lutron Palladiom Fascia Installation

### Installation Instructions (Continued):



Follow Lutron's recommended programing and wiring instructions for the keypad.  
Visit [www.lutron.com](http://www.lutron.com)



The assembled TRUFIG Palladiom keypad attaches to the TRUFIG Palladiom Trim Component using the keypad's magnets.

To ensure a flush-mounted fit, precision leveling can be done by adjusting the (4) screws on the TRUFIG Palladiom Trim Component.

***Lutron and Palladiom are registered trademarks of Lutron Electronics Co., Inc.***